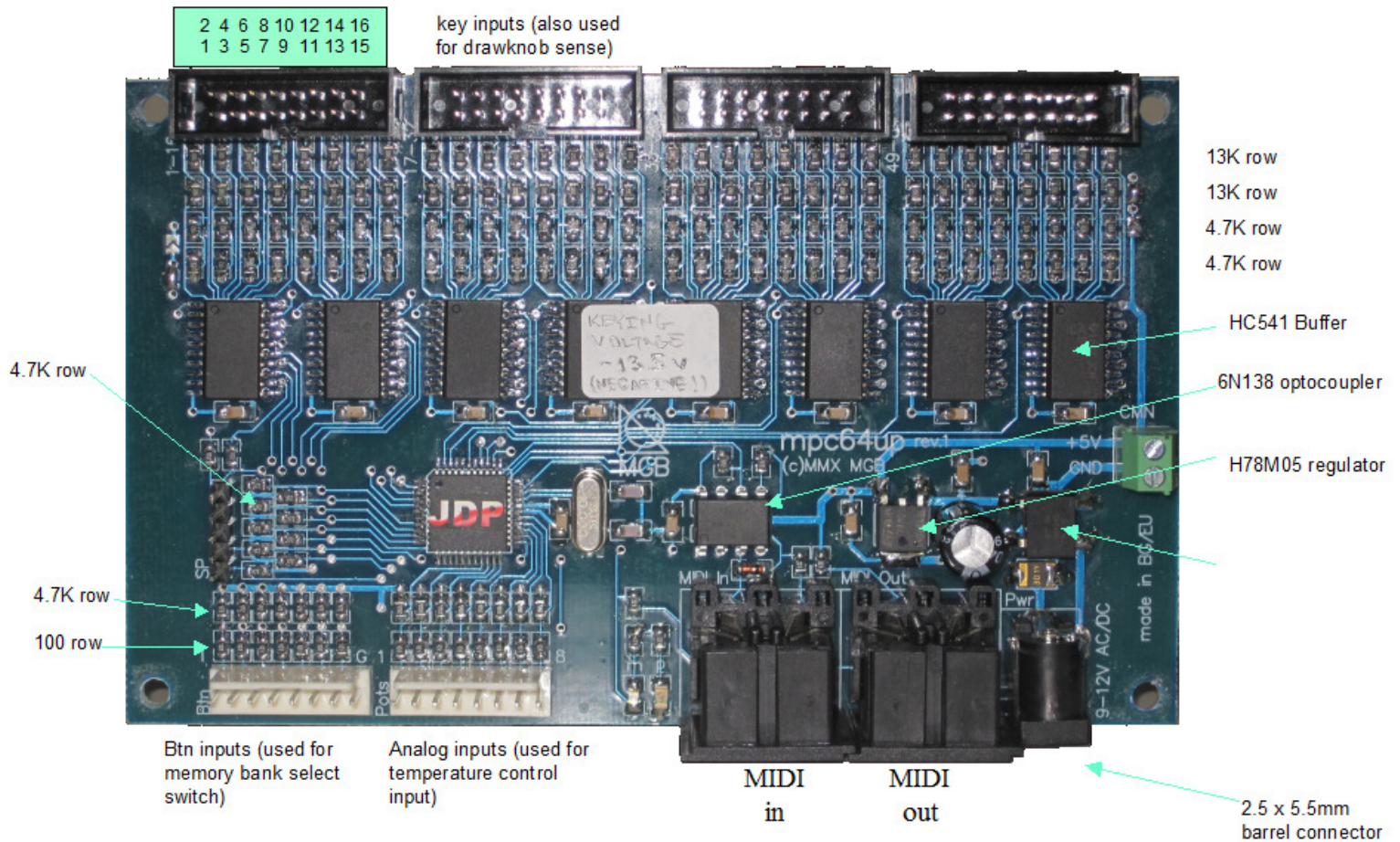


2.0 Component Descriptions

2.1 Keyboard Encoders

Four identical keyboard encoders are used for the three manuals and pedalboard. The encoders were bought from MidiGadgets Boutique, model mpc64up. The keying voltage was customized for the existing Moller installation which has a -13.5v “keyup” voltage and a 0v “keydown” voltage. This negative keying voltage is highly unusual and greatly complicated design of the digital extensions. However, that is the way the Moller was installed back in the 1960’s and the digital extensions are designed to leave the original pipe organ operation unchanged.



Encoder sn001 has the 13K input resistors. Encoders 2,3,4 have 8.2K input resistors due to a misunderstanding when they were ordered. The mpc64up-usman.pdf user manual is include in the appendix.